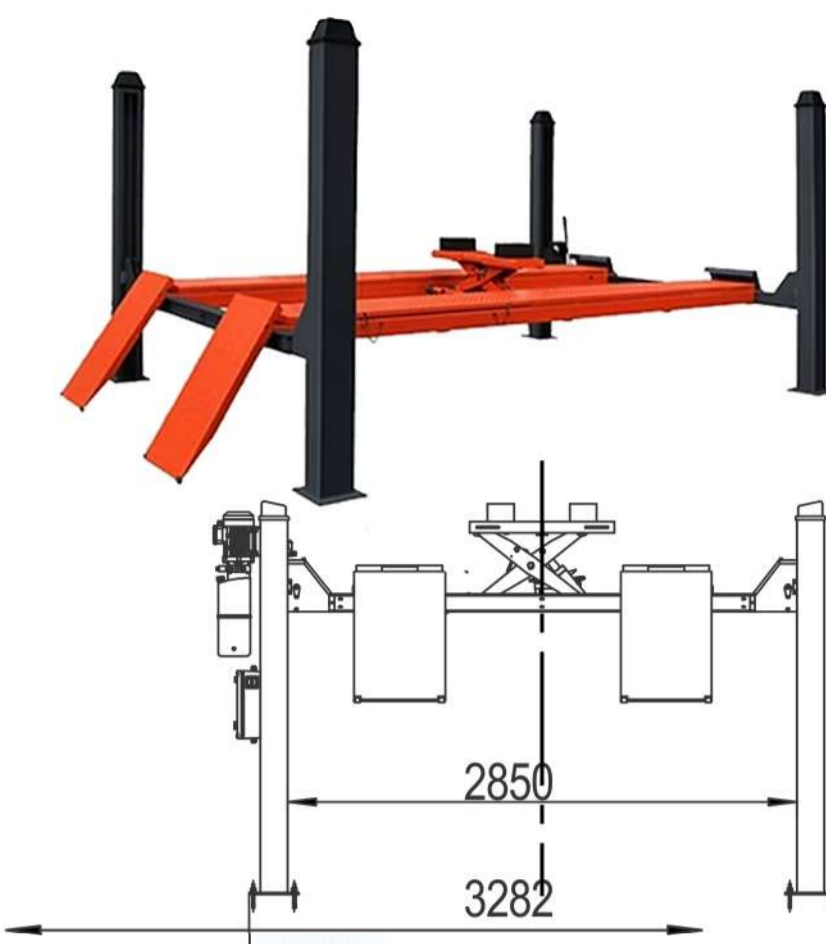


## SAL465WH 4 POST LIFT



**MIN HEIGHT**  
**215MM**

**MAX HEIGHT**  
**1900MM**

**MAX LIFT**  
**6500KG**

**MIN HEIGHT**  
**215MM**

**LIFTING CAPACITY**  
**1750MM**

**LIFTING TIME**  
**70S**

SUITABLE FOR



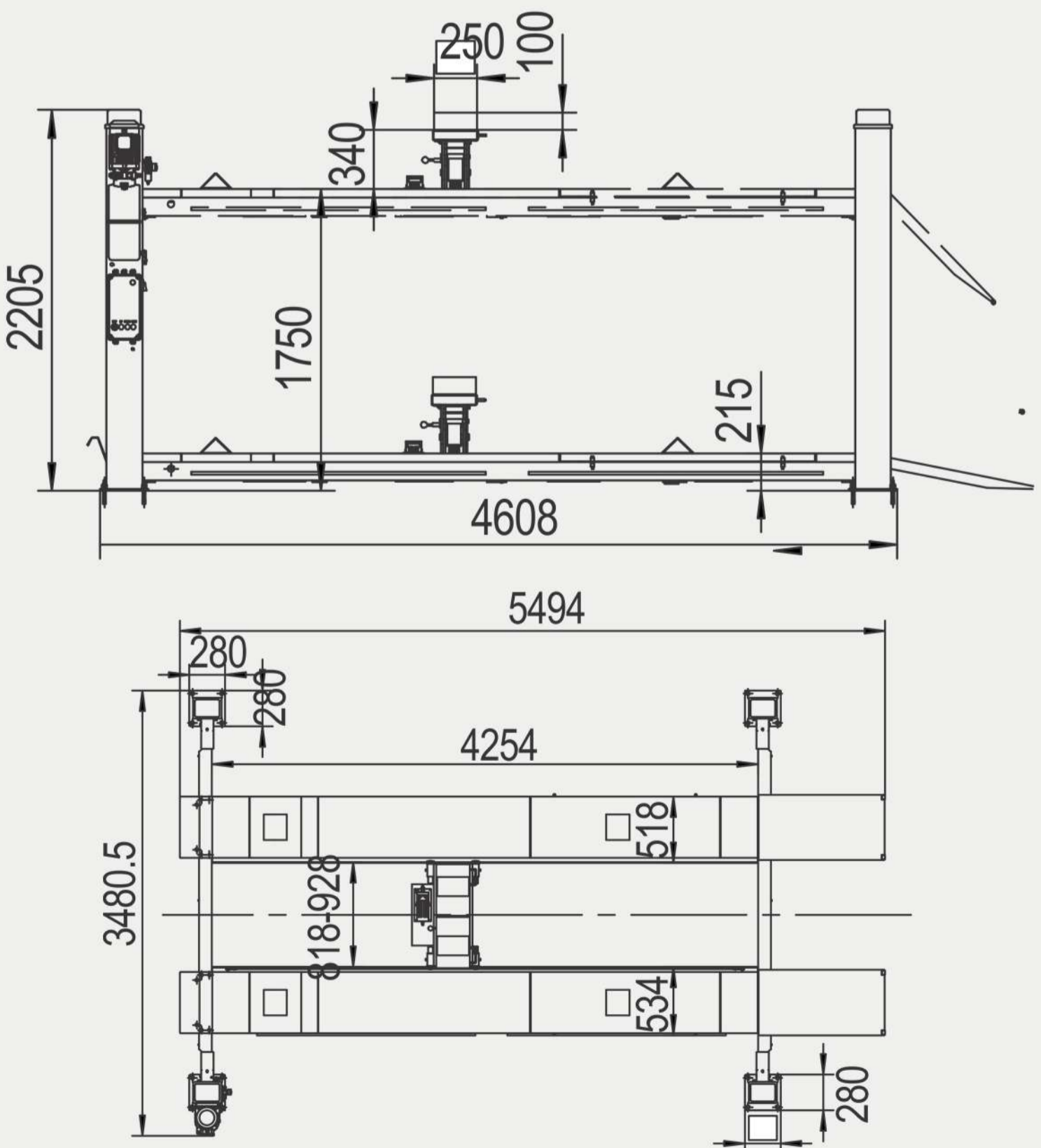
(+27)11 397 3073

www.launchsa.co.za

(+27)74 855 5555

sales@launchsa.co.za

23 Boeing W Road, Bedfordview, Germiston, Johannesburg, 2007



**1. Single point manual lock release.**

**2. Width between two platforms is adjustable to Pt for different vehicles**

**3. Mechanical safety lock installed in each column.**

**4. Front and rear stop plate protect the vehicle during repairing**

(+27)11 397 3073

www.launchsa.co.za

(+27)74 855 5555

sales@launchsa.co.za

23 Boeing W Road, Bedfordview, Germiston, Johannesburg, 2007