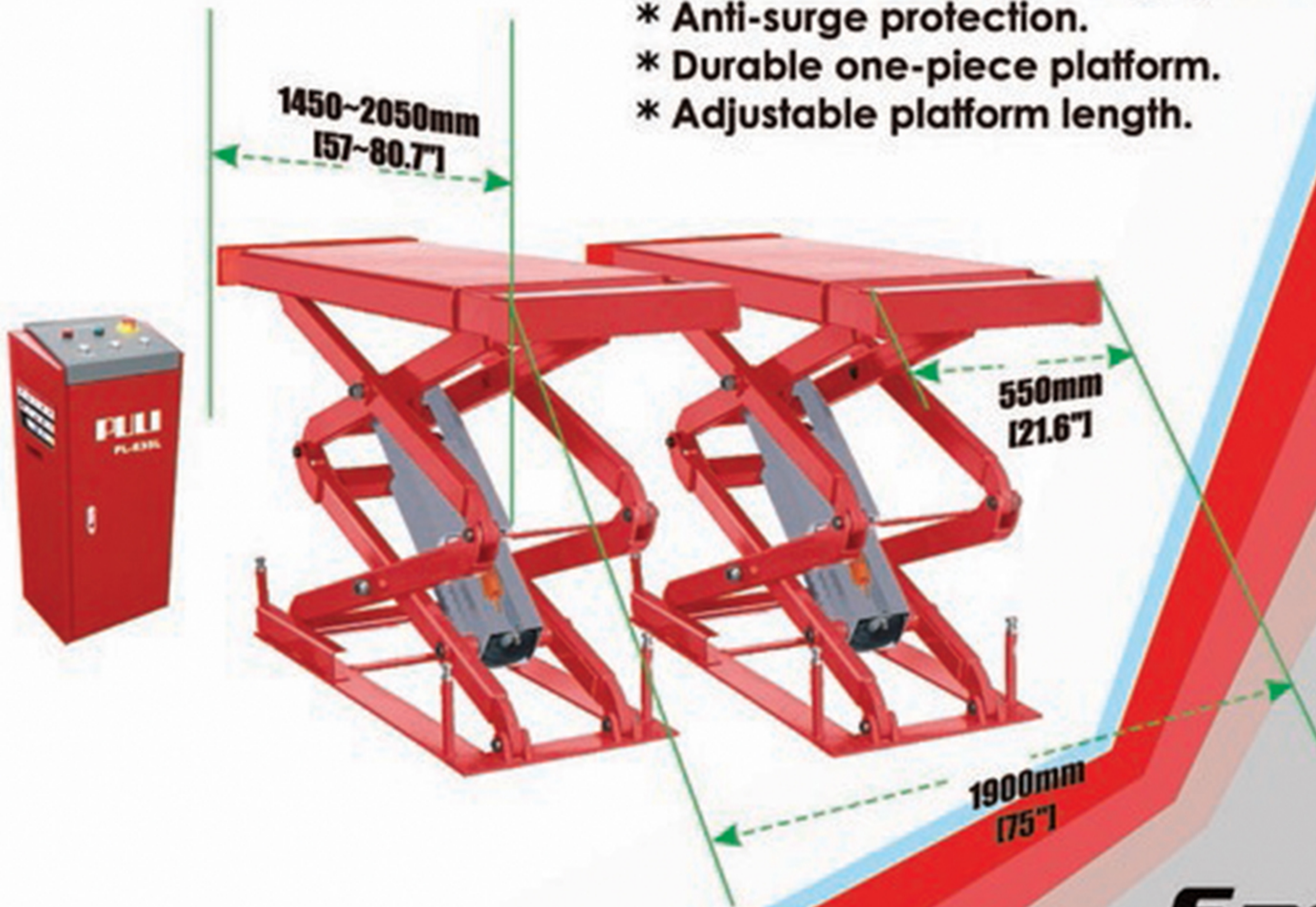


PL-E35L

FULL RISE SCISSOR LIFT, IN-GROUND MOUNTED

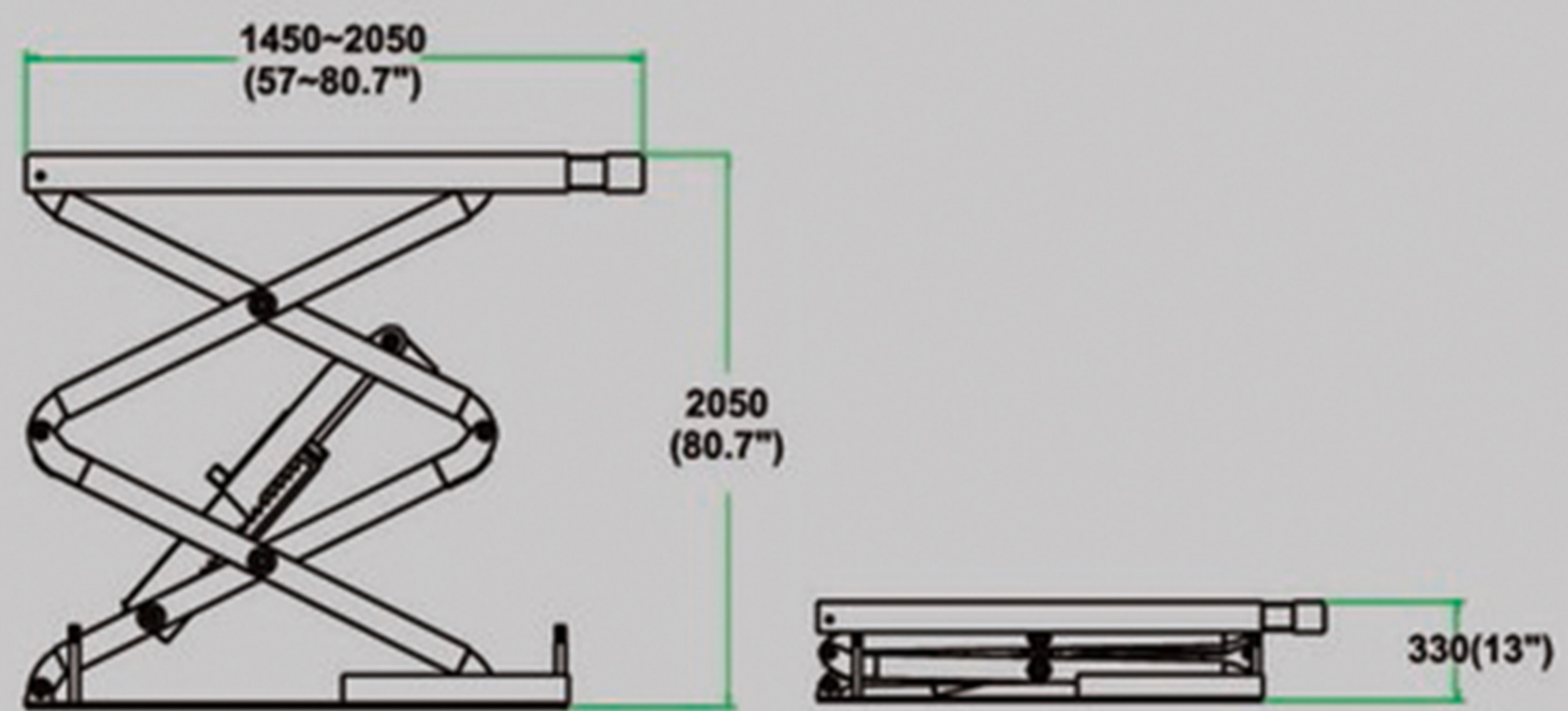
- * This is a flush mounted scissor lift with 3500KG lifting capacity.
- * Flush-mount installation.
- * Pneumatic safety locking system.
- * Anti-surge protection.
- * Durable one-piece platform.
- * Adjustable platform length.



Specifications

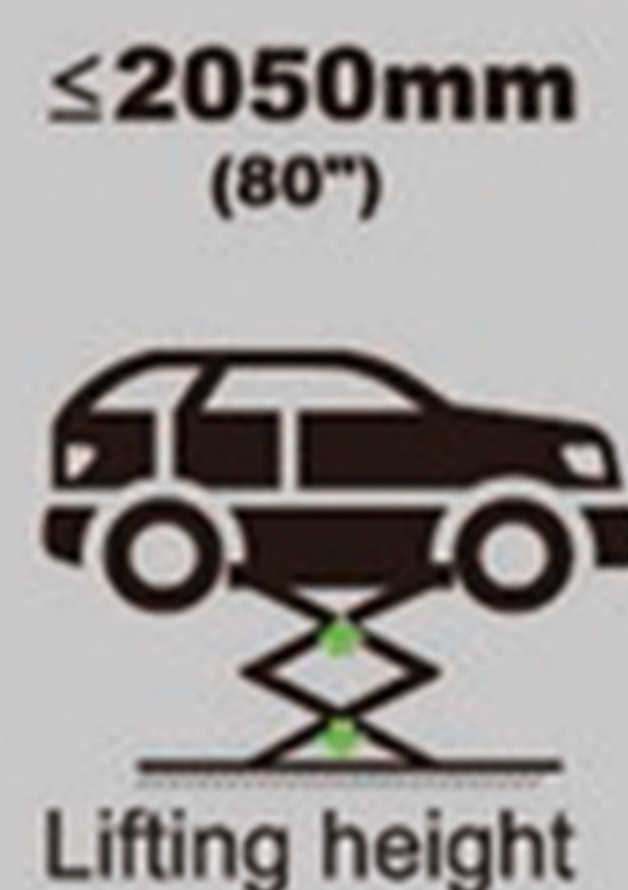
Optional power supply
motor power

220v (1ph)/380v(3ph)
3.0 kw



Dimension overview

Specifications



WWW.LAUNCHSA.CO.ZA
SALES@LAUNCHSA.CO.ZA

23 BOEING WEST ROAD, BEDFORDVIEW, GERMISTON SOUTH FRICA