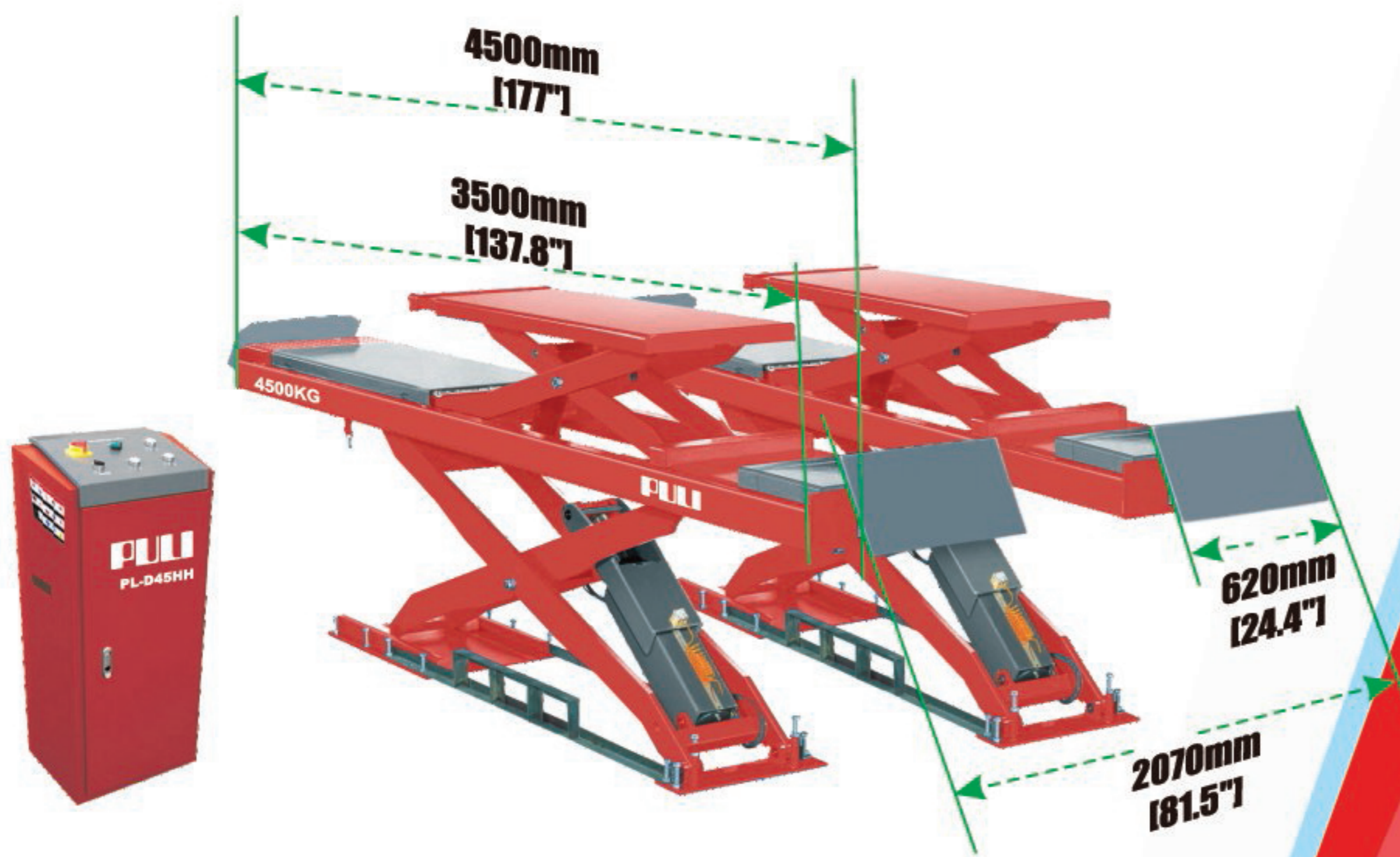


PL-D45HH

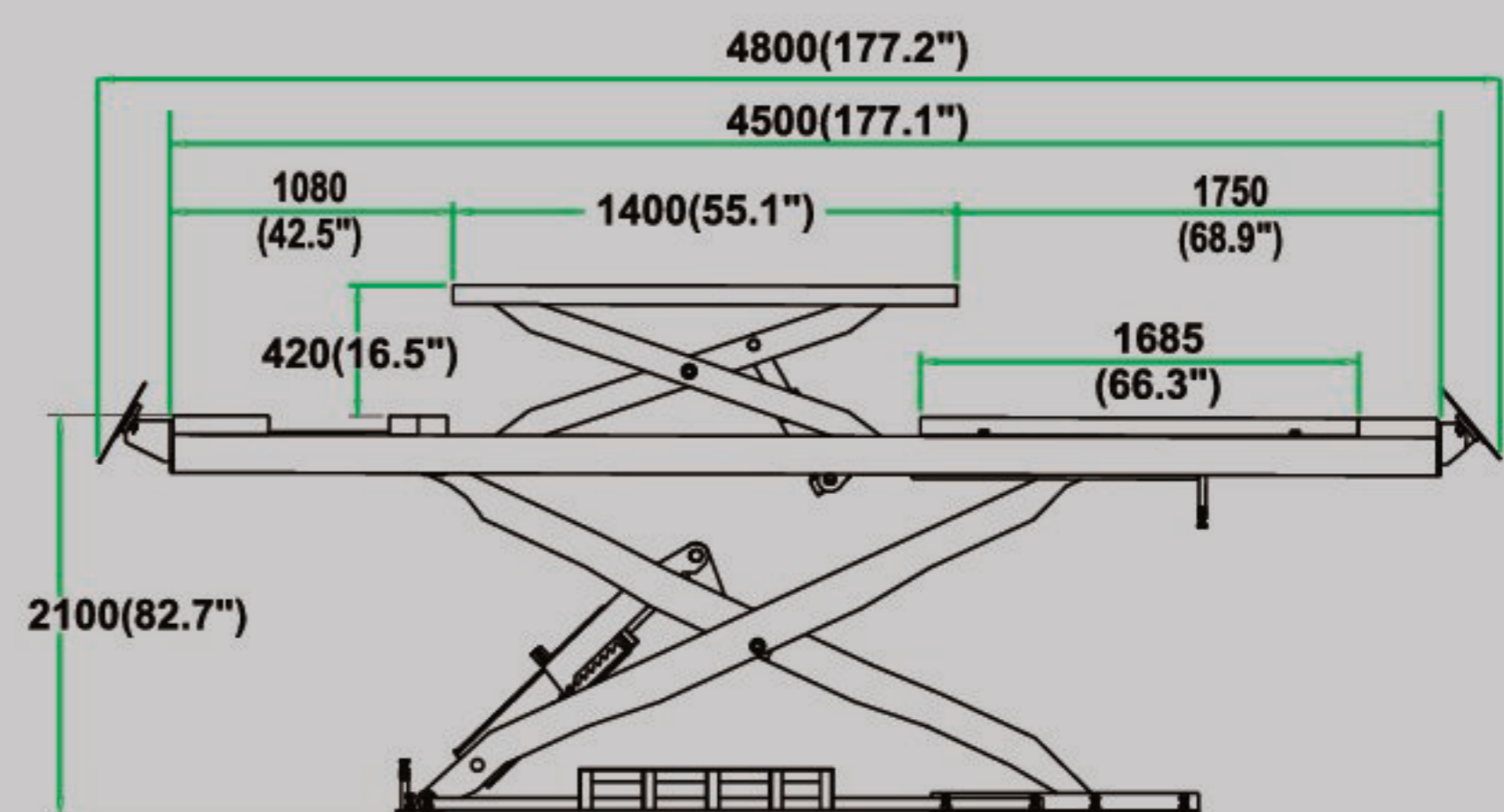
DOUBLE-LEVEL PLATFORM SCISSOR LIFT SUITABLE FOR FOUR WHEEL ALIGNMENT



- * This is a flush mounted rolling jack equipped large platform scissor lift
- * with 4500KG lifting capacity and 2000mm lifting height.
- * Suits for four wheel alignment, optional turntable.
- * Anti-surge protection.
- * Durable one-piece platform.
- * Pneumatic safety locking system.
- * Built-in central jack lift up to 450mm high.

Specifications

Optional power supply 220v (1ph)/380v(3ph)
motor power 3.0 kw



Dimension overview

Specifications

≤ 4500kg
(9920 lbs)



Lifting capacity

≤ 2200mm
(86.6")



Lifting height

≤ 380mm
(15")



Lifting height

≤ 55 S



Drop time

≤ 55 S



Rise time

WWW.LAUNCHSA.CO.ZA
SALES@LAUNCHSA.CO.ZA

23 BOEING WEST ROAD, BEDFORDVIEW, GERMISTON SOUTH FRICA